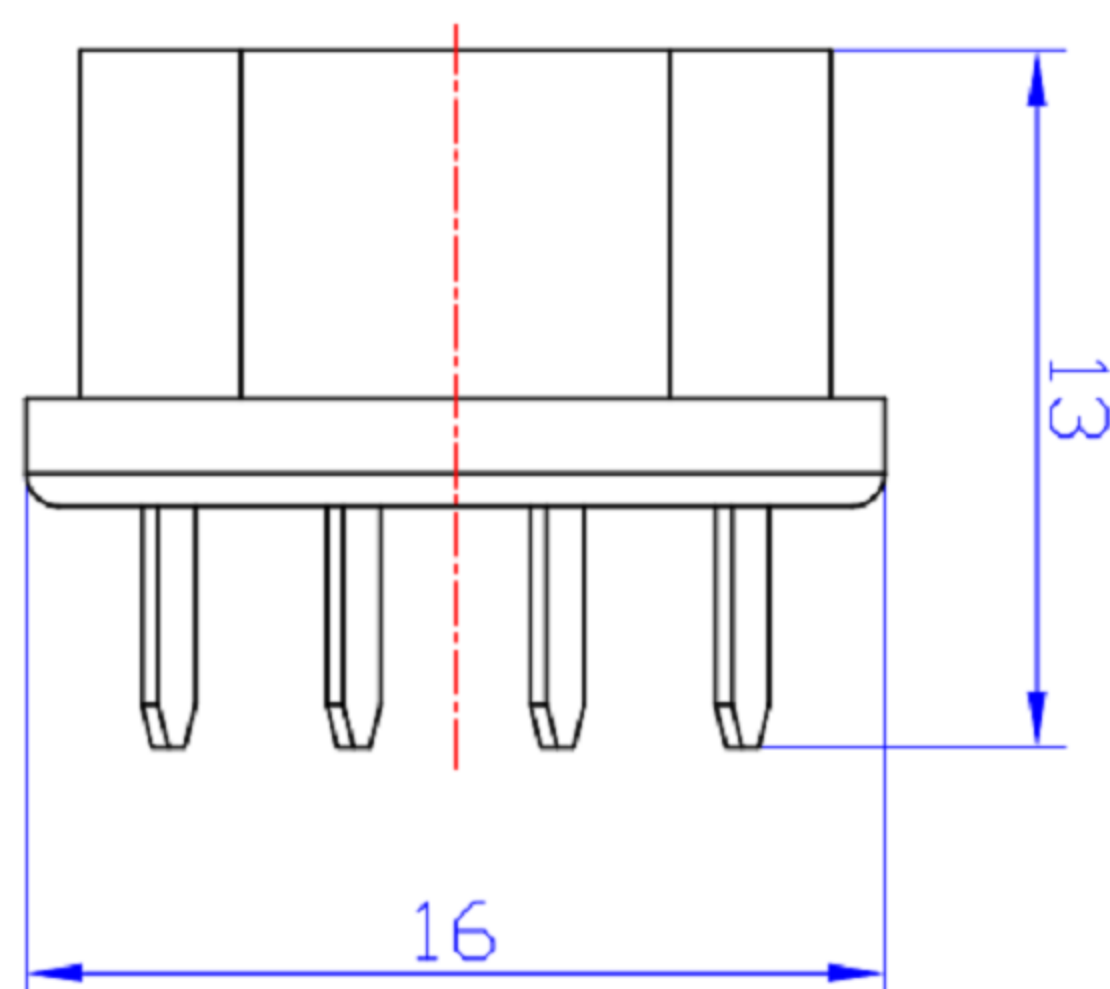
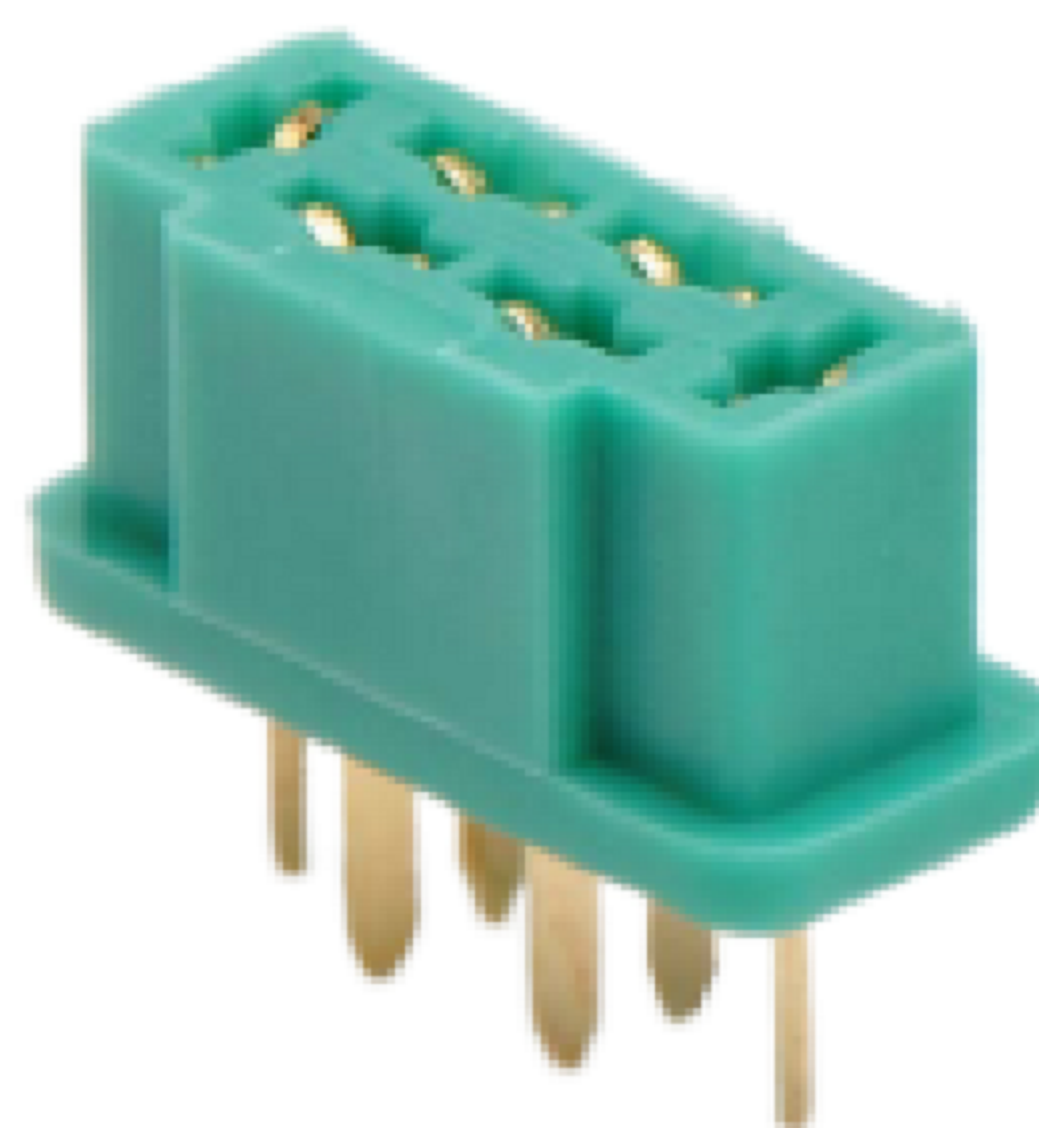




- 产品名称 (Name) : **MPX**
- 产品型号 (Model): **GD-TX-1016-M**
- 基本参数 (Principal Technical Data):



■ 产品材质及基本参数 (Material & Parameter)

主体材质与镀层 Body material and Surface plating	铜镀金 Brass and gold plated	绝缘体材质 Insulation material	尼龙/PA
接触电阻 Internal resistance	0.80mΩ	最大持续电流/瞬时电流 Max RC/MC	30A/60A
耐温 Temperature resistance	-20℃ to 120℃	500 次平均插拔力 Pulling force/500	25N
推荐可接线规 Recommend Cable Spec.	14AWG	推荐焊接标准 Soldering Spec	350℃/2S
产品重量 N.W./Pair	1.1g	推荐使用次数 Recommend use	1000 times

■ 特点 (Feature) :

◆ 高可靠性
High reliability

◆ 高稳定性
High stability

◆ 经济实用
Economical and practical

东莞市高迪电子有限公司
DONG GUAN GAO DI ELECTRONICS CO., LTD

TOLERANCE UNLESS OTHERWISE STATED: Up to 5 ±0.2, Above 5 ~ 15 ±0.3, Above 15 ~ 30 ±0.4, Above 30 ~ 50 ±0.5, Angle ±0.3°

3RD. ANGEL'S UNITS MM

DRAWN BY:	DATE	MAT'L	TITLE	CONNECTOR
Jack Lu	12/13/19			
CHECKED BY:	DATE	FINISH	MODLE	GD-TX--1016-M
Jacky Chen	12/13/19			
APPROVED BY:	DATE	SCALE	DWG NO.	
Tony Kao	12/13/19	1:1		
		SHEET NO.	PART NO.	
		1 of 1		

ITEM NO.	DESCRIPTION	DRAWN	DATE

SIZE
A4
VER
R1